

WALL PACK LED LIGHT

LW35-BRZ-110-00
LW35-WHA-110-00

FULL WALL PACK LED LIGHT, 35-WATT, BRONZE
FULL WALL PACK LED LIGHT, 35-WATT, WHITE

SPECIFICATIONS

Maximum Lumens	4,500
Input Voltage (VAC)	110-277V
Input Current Amp (@ 110V)	0.28
Input Power (W)	35
Input Power Factor	0.98
Efficacy	128.57
Color Rendering Index (CRI)	80
Correlated Color Temperature (CCT)	5700K

CHARACTERISTICS

Maximum Candela	1511.84
Maximum Candela Angle	C=270.0 γ =15.0
Horizontal Beam Angle (50%)	132.3
Vertical Beam Angle (50%)	87.9
Horizontal Field Angle (10%)	166.3
Vertical Field Angle (10%)	142.7
Total Luminaire Watts	32.8

LUMENS = 3,210

REPLACES: 175W MH LAMP

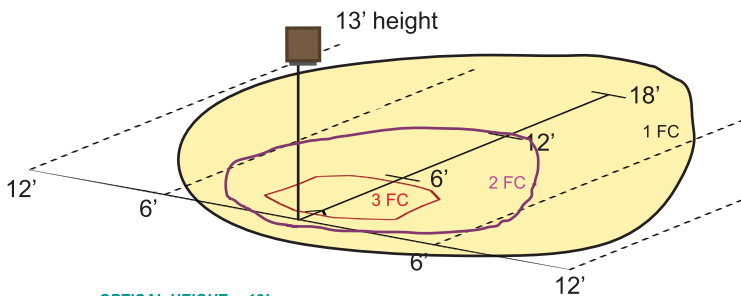
RATED LIFE = 50k+ Hours



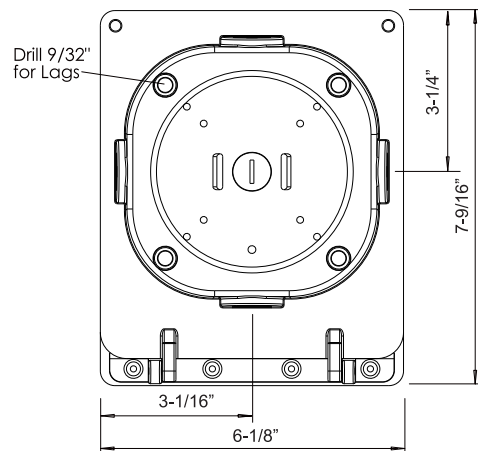
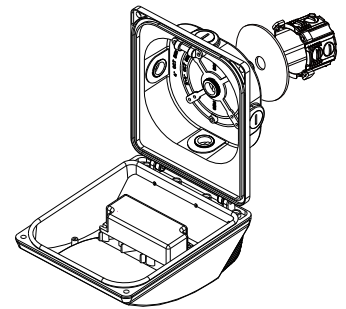
FEATURES



- Built-in level for one hand installation
- Traditional clamshell design for quick installation
- UV stabilized impact resistant polycarbonate lens
- Powder coated, heat sink cast aluminum housing
- Concealed fastener for improve aesthetics* and theft prevention
- Long life 50,000+ hours LED's to reduce maintenance cost/replacements
- Silicone seals for durability and wide-range LED operating temperature +120F to -20F
- Chromatically stable 5700K, LM 80 Tested, ETL Listed IP-65 wet location (non-submersive)
- Suggested Mounting Height: 12' - 16'
- Weight: 3.75 lbs.



OPTICAL HEIGHT = 13'
6' BETWEEN AXIS TICK-MARKS
TILT = 0° FROM NADIR



The following shows the cost of illuminating this fixture an average of 12 hours a day for 365 days a year.

$$\frac{32.94 \text{ Watt} \times 4,380 \text{ YKWH} \times \$0.09/\text{KWH}}{1,000}$$

\$12.98
Yearly Operating Cost per fixture

Security Lighting
Downlight
Entrances
Walkways
Loading Docks
Garage
Warehouses
Self-Storage Buildings
Retail Buildings

APPLICATION



*non-submersible